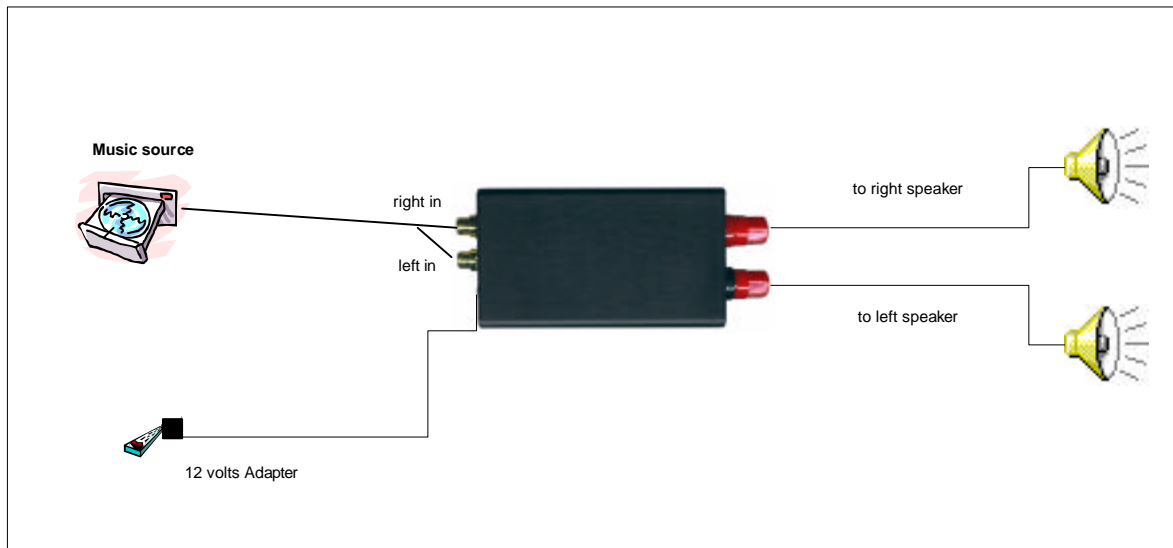


# SAA OPERATION MANUAL



- 1) Set-up the equipment as shown above in the diagram.
- 2) Observe polarity when connecting the speakers (positive to red and negative to black of the speaker terminals).
- 3) Be sure to use the supplied power supply. Usage of different power supply will void warranty.
- 4) Congratulations ! You have just installed one of the best amplifiers available in the market today. Enjoy your music.....