

» PIM-20B

20" Pragmatic Healthcare/Industrial Monitor

Digital LCD/LED Monitor

Brilliant Display and Ease of Use

The Pragmatic LCD/LED monitor delivers a superior picture with razor sharp images and brilliant colors. Designed for healthcare and industrial use, this unit is enclosed in an elegant aluminum case.

Designed for healthcare/industrial use

- VESA mount standard
- LED backlighting
- 1600 x 900 resolution
- 10,000,000:1 Dynamic contrast
- VGA and DVI-D inputs

Best total cost of ownership

- Five Star Service—One-year warranty. With the option to extend up to 5 years
- Energy saver design

Sustainable and Safe

- Eco-friendly Design
- Easy to clean, durable housing
- Meets or exceeds UL60601-1
- Scrub resistant screen for daily cleaning
- Sealed design meets IP63 rating



High Definition Display

Wide viewing angle, high contrast, high resolution

Widescreen 16:9 Aspect Ratio

For the ultimate viewing experience

UL Compliant

Complies with all applicable UL certifications

Fully Digital and Analog Compatible

DVI-D as well as analog RGB VGA compatible

Dual video inputs

DVI / VGA auto-selectable

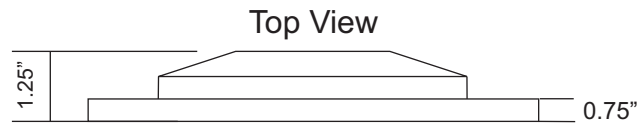
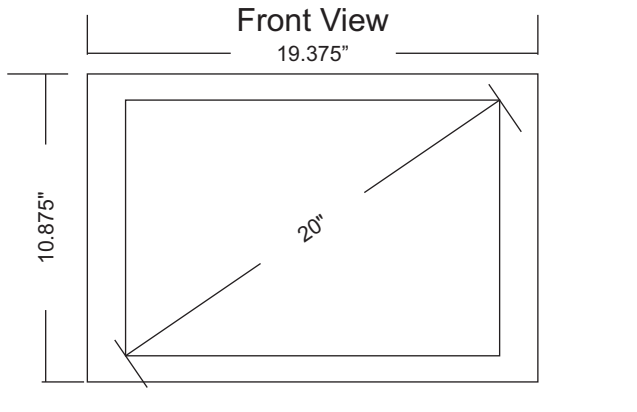
Wall Mountable

Standard VESA 100mm x 100mm wall mount

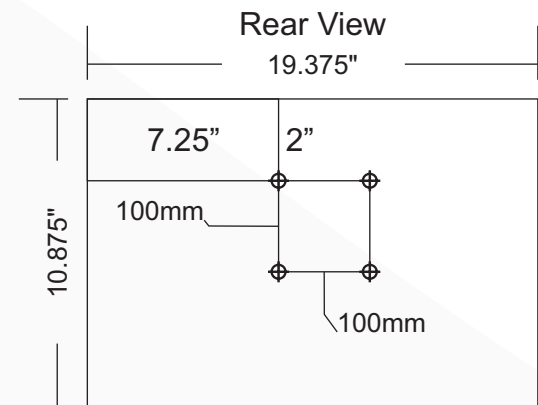
TO PLACE an ORDER or for QUESTIONS,
Emails Us: sales@pragmatic1.com, Call Us: (408) 748-1100 or Fax Us: (408) 663-9783

» PIM-20B

20" Pragmatic Healthcare monitor



Height = 10.875"
Width = 19.375"
Depth = 1.25"



VESA wall mounts available

Specifications

Viewable Image Size	20"
Contrast Ratio	10,000,000:1 (typ)
Response Time	5ms Gray-Gray
Resolution (typical)	Widescreen (1600×900)
Maximum Resolution	1600×900
Colors Supported	> 16 Million
Viewing Angle	Horizontal: 176°/Vertical: 176°
Signal Inputs	Analog RGB (Dsub)/DVI-D
Power supply	12VDC @ 5 Amps
ENERGY STAR® Compliant	Yes
Regulation: cULus	Yes
Regulation: FCC	Yes
Regulation: ROHS	Yes



TO PLACE an ORDER or for QUESTIONS,
Emails Us: sales@pragmatic1.com, Call Us: (408) 748-1100 or Fax Us: (408) 663-9783