



Pragmatic PHTV-19"

Health Care LCD TV

**19"** Pragmatic Hospital TV

Model ▶ **PHLCD19**

## Digital Health Care LCD TV

Brilliant Display and Ease of Use

The Pragmatic LCD TVs deliver a superior picture with razor sharp images and brilliant colors. Designed for healthcare use, this set comes complete with pillow speaker interface and tuner.

### Designed for healthcare use

- Advanced integrated pillow speaker interface

### Best total cost of ownership

- Five Star Service—One-year advanced exchange warranty. With the option to extend up to 5 years
- Energy saver design

### Sustainable and Safe

- Eco-friendly Design
- Flame retardant housing

### Supports Common Pillow Speaker Codes

\* LG, RCA, Philips and Zenith



### Integrated Pillow Speaker Interface

An easy to use and configure isolated interface for pillow speakers built right into the TV.

### High Definition Display

Making patients feel at home, by providing the comforts of home.

### Enhanced View Area

For those with vision impairments and also for patient guests who will share the viewing experience.

### Widescreen 1440x900, 16:10 Aspect Ratio

For the ultimate viewing experience

### UL Compliant

Complies with all applicable UL certifications

### Fully Digital and Analog Compatible

Digital transition ready and analog compatible for custom applications

### ATSC/NTSC/Clear QAM Tuner

For high definition reception

### Wall Mountable

Standard VESA 100mm x 100mm wall mount



Professional  
Home  
Commercial  
**Health Care**  
Security  
Government

www.Pragmatic1.com

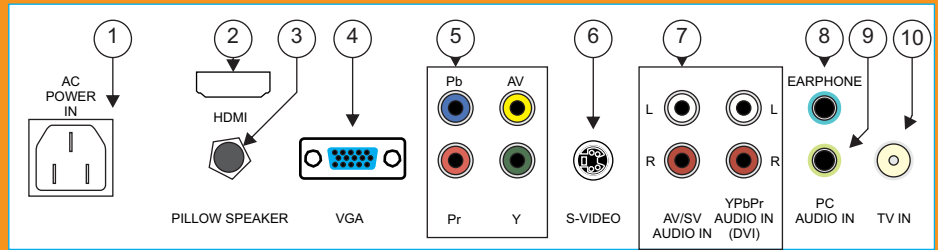
2340A Walsh Avenue, Santa Clara, CA 95051  
Ph: 408-748-1100, Fax: 408-663-9783  
Email: sales@pragmatic1.com

Copyright © 1994- 2014. All rights reserved.

Pragmatic

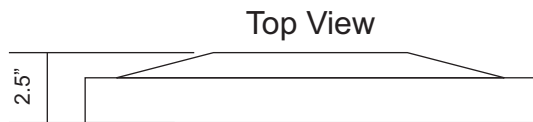
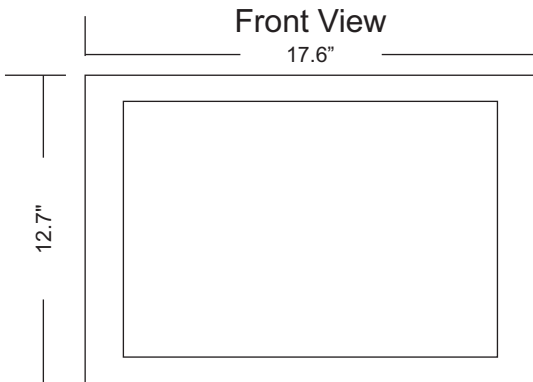
Acute Health Care LCD TV

19" Pragmatic Hospital TV

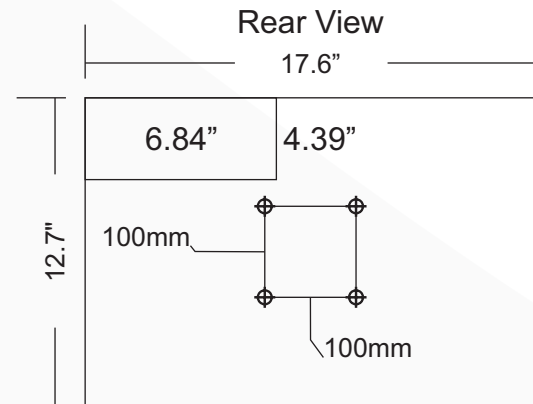


- 1. AC input
- 2. HDMI input
- 3. 1/4" pillow speaker connection
- 4. VGA input
- 5. COMPONENT AV input
- 6. S-VIDEO input
- 7. AV inputs
- 8. EARPHONE connection
- 9. PC AUDIO input
- 10. TV coax input

## Specifications



Height = 12.7"  
Width = 17.6"  
Depth = 2.5"



VESA wall mounts available

Viewable Image Size	19"
Brightness (typical)	300 cd/m2
Contrast Ratio	800:1 (typ)
Response Time	5ms Gray-Gray
Resolution (typical)	Widescreen (1440×900)
Maximum Resolution	1440×900x60Hz
Colors Supported	> 16 Million
Viewing Angle	Horizontal: 170°/Vertical: 160°
Analog TV Tuning	NTSC
Analog Color System	NTSC
Analog Sound System	MTS+SAP
Closed Caption	Yes
V-Chip Parental Control	Yes
Digital Tuning	ATSC w/ Clear-QAM
Pillow Speaker Connector	1/4" Stereo Phono Jack . Tip: Audio; Ring: Data; Sleeve: Common  Other connections available upon request.
Composite Inputs	1
S-Video Inputs	1
Component Inputs	1
HDMI Inputs	1
Signal Input	Analog RGB (Dsub)
Built-in Speakers	Yes / 6W
Power Consumption	65 Watts (Max)
Regulation: cULus	Yes
Regulation: FCC	Yes
Regulation: ROHS	Yes



Professional  
Home  
Commercial  
**Health Care**  
Security  
Government

www.Pragmatic1.com

2340A Walsh Avenue, Santa Clara, CA 95051  
Ph: 408-748-1100, Fax: 408-663-9783  
Email: sales@pragmatic1.com

Copyright © 1994- 2014. All rights reserved.