

» CATS-HDMI-MX4

HDMI Over Cat5e/Cat6 UTP cables

HDMI A/V Distribution Up to Four Rooms

Whether in residential or industrial applications the Pragmatic CATS™-HDMI extender package delivers exceptional audio and video quality over ultra long distances via standard Cat5e/Cat6 cables. CATS is easy to use, allows components to be centralized and operations are seamless.

The CATS-HDMI-MX4 4x4 HDMI over Cat5 Matrix with IR Pass-through provides the most flexible and cost effective solution in the market to route high definition video sources plus multi-channel (up to 7.1-channel) digital audio from any four HDMI sources to four remote displays at the same time.

Through low cost Cat-5/5e/6 LAN cables, not only can high quality video and audio be transmitted to the display sites, users can also switch among four HDMI sources using the push-in button or remote control. With single power design at the source site, each remote module is easily installed without a power supply. Furthermore, the built-in IR extension function allows users to access the DVD player, PS3 or any HDMI supported devices directly.

Cost Efficient

The CATS HDMI system is a cost-efficient, CAT5-based extension system able to transmit audio and video up to 115ft from one source to four screens.

Ideal for a variety of applications

Extension enables strategic placement of screens in multiple locations. CATS HDMI is ideal for commercial and residential applications

Scalable

When your business grows, the CATS broadcast grows as well. The CATS systems can deliver up to 16 screens



Applications:

- Commercial buildings
- Digital signage
- Offices
- Stadiums
- Healthcare

Feature & Benefits:

- Extends video signal up to 35m (115 feet) over CAT5e at 1080p
- Supports up to 7.1 channel digital audio
- The matrix master can switch every output channels to any HDMI inputs by push-in button, IR remote control, or RS-232 control
- Control local HDMI sources such as DVD and TiVo by attached IR extender from remote receiver to matrix master



TO PLACE an ORDER or for QUESTIONS,

Emails Us: sales@pragmatic1.com, Call Us: (408) 748-1100 or Fax Us: (408) 663-9783

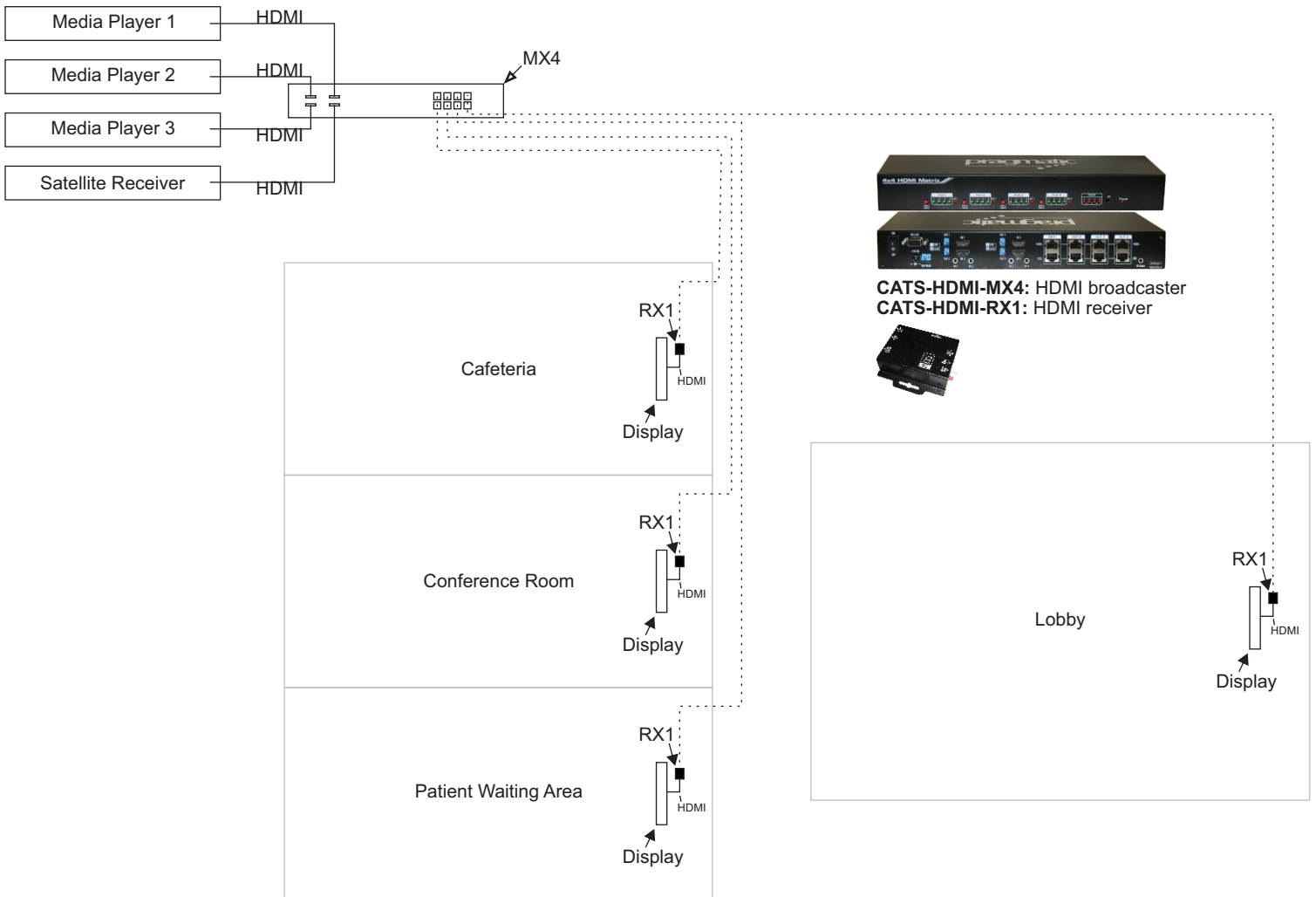
SPECIFICATIONS

| MODEL | CATS-HDMI-MX4 | |
|-----------------------------------|--|--|
| Technical | CATS-HDMI-MX4 | CATS-HDMI-RX4 |
| Role of Usage | True 4x4 Matrix Switcher Transmitter (TX) | Receiver (RX) |
| HDMI Compliance | HDMI 1.3 | |
| HDMI Compliance | Yes | |
| Video Bandwidth | Single-link 225Mhz [6.75Gps] | |
| Video Support | 480i / 480p / 720p / 1080i / 1080p60 36 bit color | |
| Audio Support | Surround sound (up to 7.1ch) or stereo digital audio | |
| HDMI over CAT5 Transmission Range | Full HD (1080p): 35m (115ft) [CAT5e] / 40m (130ft) [CAT6] HD (720p/1080i): 50m (165ft) [CAT5e] / 55m (180ft) [CAT6] | |
| HDMI Equalization | N/A | 8-level digital rotary control |
| Input TMDS signal | 1.2 Volts [peak-to-peak] | |
| Input DDC signal | 5 Volts [peak-to-peak, TTL] | |
| ESD Protection | [1] Human body model — ±15kV [air-gap discharge] & ±8kV [contact discharge], [2] Core chipset — ±8kV | |
| Input | 4 x HDMI, 1 x RS-232 | 1 x RJ-45 TMDS, 1 x RJ-45DDC, 1 x IR socket for IR receiver |
| Output | 4 x RJ-45 TMDS, 4 x RJ-45 DDC, 5 x IR socket for IR blaster | 1 x HDMI |
| HDMI Input Selection | Push-in button/IR remote control/RS-232 control | Push-in button / IR remote control |
| HDMI Source Control | Controllable via IR pass-through from IR receiver at RX to IR blaster at TX | |
| IR remote control | Electro-optical characteristics: = 25 / Carrier frequency: 38kHz | |
| HDMI connector | Type A [19-pin female] | |
| RJ-45 connector | WE/SS 8P8C with 2 LED indicators | |
| RS-232 connector | DE-9 [9-pin D-sub female] | |
| 3.5mm connector | Earphone jack for IR blaster [IR Main] IR control on all source devices [IR1~IR4] IR control on individual source device | Earphone jack for IR receiver [IR] Receives IR commands from remote control |
| DIP switch [CATS-HDMI-MX4 only] | [SW1~SW4] 2-pin for EDID and audio setting modes [SW Main] 4-pin operation mode & firmware update | |
| Dimensions (L x W x H) | Model | 110 x 340 x 44mm [4.3"x1'1"x1.7"] |
| | Package | 230 x 545 x 110mm [9.1" x 1'10" x 4.3"] |
| | Carton | 580 x 570 x 260mm [1'11"x1'11"x10.2"] |
| Weight | Model | 1220g [2.7 lbs] |
| | Package | 180g [6.3 oz] |
| Mounting Options | Model | 1U rack-mount with ears Wall hanging holes |
| | Package | Wall mount |
| Package Contents | 1x CATS-HDMI-MX4, 1x IR blaster, 2x Rack-mounting ear, 1x IR remote control, 1x User Guide 4x CATS-HDMI-Rx4, 4x IR receiver, 8x Wall-mounting screws, 1x 5V 6A in-line power adapter, 1x C5-type power cord | |

TO PLACE an ORDER or for QUESTIONS,
Emails Us: sales@pragmatic1.com, Call Us: (408) 748-1100 or Fax Us: (408) 663-9783

CATS-HDMI-MX4

Application Diagram



CATS-HDMI-MX4: HDMI broadcaster
CATS-HDMI-RX1: HDMI receiver

| LEGEND | |
|--------|----------------|
| ----- | 2x CAT5 Cables |
| ————— | HDMI Cables |

TO PLACE an ORDER or for QUESTIONS,
Emails Us: sales@pragmatic1.com, Call Us: (408) 748-1100 or Fax Us: (408) 663-9783