

» PHLCD22

22" Pragmatic Healthcare TV

Digital Healthcare LCD TV

Brilliant Display and Ease of Use

The Pragmatic LCD TVs deliver a superior picture with razor sharp images and brilliant colors. Designed for healthcare use, this set comes complete with pillow speaker interface and tuner.



Designed for healthcare use

- Advanced integrated pillow speaker interface

Best total cost of ownership

- Five Star Service—One-year warranty. With the option to extend up to 5 years
- Energy saver design

Sustainable and Safe

- Eco-friendly Design
- Flame retardant housing

Supports Common Pillow Speaker Codes

* LG, RCA, Philips and Zenith



Integrated Pillow Speaker Interface

An easy to use and configure isolated interface for pillow speakers built right into the TV.

High Definition Display

Making patients feel at home, by providing the comforts of home.

Enhanced View Area

For those with vision impairments and also for patient guests who will share the viewing experience.

Widescreen 16:9 Aspect Ratio

For the ultimate viewing experience

UL Compliant

Complies with all applicable UL certifications

Fully Digital and Analog Compatible

Digital transition ready and analog compatible for custom applications

ATSC/NTSC/Clear QAM Tuner

For high definition reception

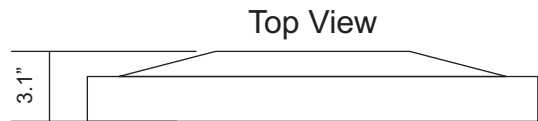
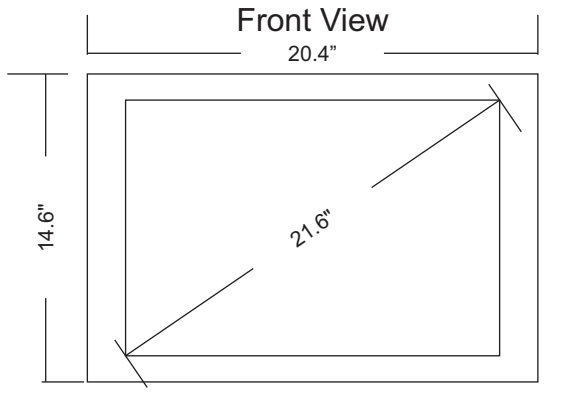
Wall Mountable

Standard VESA 100mm x 100mm wall mount

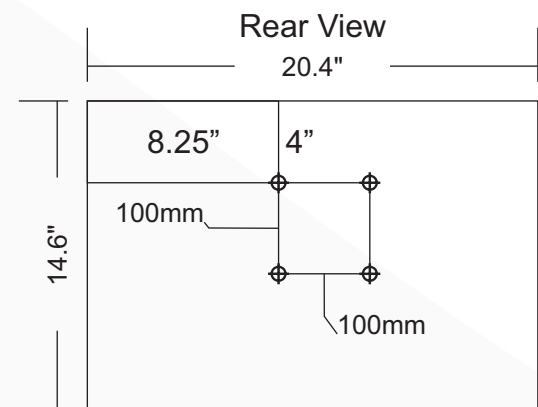
TO PLACE an ORDER or for QUESTIONS,
Emails Us: sales@pragmatic1.com, Call Us: (408) 748-1100 or Fax Us: (408) 663-9783

PHLCD22

22" Pragmatic Healthcare TV



Height = 14.6"
Width = 20.4"
Depth = 3.1"



VESA wall mounts available

Specifications

Viewable Image Size	21.6"
Brightness (typical)	400 cd/m2
Contrast Ratio	15000:1 (typ)
Response Time	5ms Gray-Gray
Resolution (typical)	Widescreen (1366×768)
Maximum Resolution	1360×768x60Hz
Colors Supported	> 16 Million
Viewing Angle	Horizontal: 176°/Vertical: 176°
Analog TV Tuning	NTSC
Analog Color System	NTSC
Analog Sound System	MTS+SAP
Closed Caption	Yes
V-Chip Parental Control	Yes
Digital Tuning	ATSC w/ Clear-QAM
Pillow Speaker Connector	1/4" Stereo Phono Jack . Tip: Audio; Ring: Data; Sleeve: Common Other connections available upon request.
Composite Inputs	1
S-Video Inputs	1
Component Inputs	1
HDMI Inputs	1
Signal Input	Analog RGB (Dsub)
Built-in Speakers	Yes / 6W
ENERGY STAR® Compliant	Yes
Regulation: cULus	Yes
Regulation: FCC	Yes
Regulation: ROHS	Yes

TO PLACE an ORDER or for QUESTIONS,
Emails Us: sales@pragmatic1.com, Call Us: (408) 748-1100 or Fax Us: (408) 663-9783