

CATS-KP

SMART WALL KEYPAD

User's Manual

Pragmatic Communications Systems, Inc.

2934 Corvin Drive, Santa Clara CA 95051

Tel. (408) 735 0300 Fax (408) 735 0800

sales@wireless-experts.com



All Rights Reserved.

The software and documentation contain information that is protected by copyright. No part of the software or the documentation may be reproduced, photocopied, translated, stored on a retrieval system, or transmitted, in whole or in part, without the express written consent.

Microsoft is a registered trademark of Microsoft Corp. Windows is a trademark of Microsoft Corp.
CATS™ is a registered trademark of Pragmatic Communication Systems, Inc.

CATS-KP
User's Manual
Document Number: 30521
First Edition: Sep 2002

CATS-KP

Preface

Congratulations on purchasing CATS-KP smart wall keypad!

This booklet is part of your documentation set. It includes information on

- installation of the keypad
- configuration of the CATS network
- using the keypad

- How to use this manual**
1. Begin with the introductory chapter and continue reading through the instructions for the installation of the keypad
 2. Refer to the CATS™ User's Manuals for more information about the CATS™ Network.

What is CATS-KP™?

CATS-KP™ is a microcontroller-based graphics LCD wall keypad designed to integrate different aspects of today's modern houses – multi source/multi room audio/video distribution, lighting and climate control as well as some other features of smart homes.

Technical Support

Technical support is available to all customers via:

- E-mail: sales@wireless-experts.com
- WEB: www.wireless-experts.com
- Mail: Pragmatic Communications Systems, Inc.
2934 Corvin Drive, Santa Clara CA 95051
USA

Before contacting us, be sure to have available:

- the version number of your CATS-KP™ keypad firmware
- the model name and number(s) of your supported automation devices
- the serial number of relevant CATS™ units (if applicable)
- a return phone, fax, or e-mail address

CATS-KP

Table of Contents

Technical Support	iii
INSTALLATION	9
Installation steps.....	9
Step 1—CAT5 cable.....	9
Step 2—connecting the CATS™ units	10
Step 3—connecting the CATS-KP™ keypads.....	11
THE CATS™ NETWORK CONFIGURATION	13
Prerequisites	13
Configuration steps	13
Step 4—Configuring the CATS™ unit address	13
Step 5—Configuring the CATS-KP™ keypad.....	13
Step 6—Configuring source labels (optional).....	13
Step 7—Configuring scene labels	14
What's Next...?	14
MENU STRUCTURE	15
Menu structure	15
MENU ITEMS	19
Root.....	19
Source selection.....	20
Lighting scenes	21
Transport Menu.....	21
Utilities Menu.....	22
Tone adjustment	22
Balance adjustment.....	22
Contrast adjustment.....	22
CATS™ Setup.....	24
Transmitters Setup.....	24
Target Setup.....	25
Router Setup	25
Keypad address setup.....	26
Keypad Setup.....	27

Clock/Calendar Setup	27
Lighting scenes configuration.....	27
Labels Setup	29
Source Labels Setup.....	29
Scene Labels Setup	29
IR REMOTE CONTROL	31
TECHNICAL SPECIFICATION	33
APPENDIX I. NETWORK EXAMPLE	35
NOTES	37

CATS-KP

Table of Figures

Figure 1: Wiring plans.....	10
Figure 2: CATS™ connectors.....	10
Figure 3: Keypad connectors.....	11
Figure 4: Menu structure #1.....	15
Figure 5: Menu structure #2.....	16
Figure 6: Menu structure #3.....	17
Figure 7: Root screens	19
Figure 8: Root functionality	19
Figure 9: Source selection screen	20
Figure 10: Return to root sign	20
Figure 11: Lighting scenes screen.....	21
Figure 12: Transport menu (CATS Media Server (CMS)™).....	21
Figure 13: Utilities Menu	22
Figure 14: CATS™ Setup Menu	24
Figure 15: Keypad Setup Menu	27
Figure 16: Labels menu	29
Figure 17: Characters available for labels	29
Figure 18: CATS™ IR Remote Control	31

CATS-KP

Installation

The keypad has been designed to be installed in a double size J-box, such as Carlon 32.0 cu.in.
IMPORTANT: For normal operation the CATS™ units have to be v2.3 or higher.

Installation steps

1. **Installing CAT5 cables and RJ-45 plugs.**
2. **Connecting CATS™ units to the network.**
3. **Connecting CATS-KP™ keypads to the network.**
4. **Connecting TW523 (TW7223) Power Line Interface (optional)**
5. **Configuring installed keypads.**

Step 1—CAT5 cable

Short for Category 5, network cabling that consists of four twisted pairs of copper wire terminated by RJ45 connectors.

Cat-5 cabling supports frequencies of up to 100 MHz and speeds of up to 1000 Mbps. It can be used for ATM, token ring, 1000Base-T, 100Base-T, 10Base-T and/or audio/video networking.

Computers hooked up to LAN s are connected using Cat-5 cables, so if you're on a LAN the cable running out of the back of your PC is, most likely, Category 5.

Cat-5 is based on the EIA/TIA 568 Commercial Building Telecommunications Wiring Standard developed by the Electronics Industries Association as requested by the Computer Communications Industry Association in 1985.

CAT5 provide an ideal inexpensive medium for a digital home as the same type of cable can be used for the whole house network.

1. Wiring plans

There are two standard RJ-45 wiring plans:

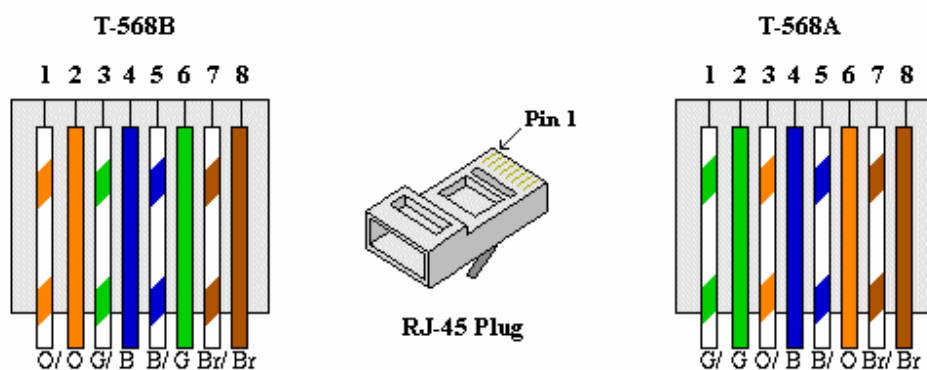


Figure 1: Wiring plans

We recommend using plan T-568B.

Before connecting units we recommend to test the integrity of the cables and the connectors using a cable analyzer (such as AtlasIT). Loose or broken wires may stop the network functioning.

Step 2—connecting the CATS™ units

To ensure normal operation the CATS™ units must be connected to CAT5 cables according to the house wiring diagram. Please refer to the CATS™ User's Manual for more information.

1. CATS™ RJ-45 pin-out

The following wires are used in CATS™ network:

- 1, 2 – RS485 (A) and RS485 (B) NOTE: USE DB-9 pins 2 & 3 for new designs
- 3, 4, 5, 6 – Audio/Video and infrared IR traffic
- 7, 8 – grounded.

The new generation of CATS™ units (firmware 2.3) does not use RJ45 pins for RS485 signaling. The DB9 socket is used instead. Please check the integrity of the RS485 network before using it.

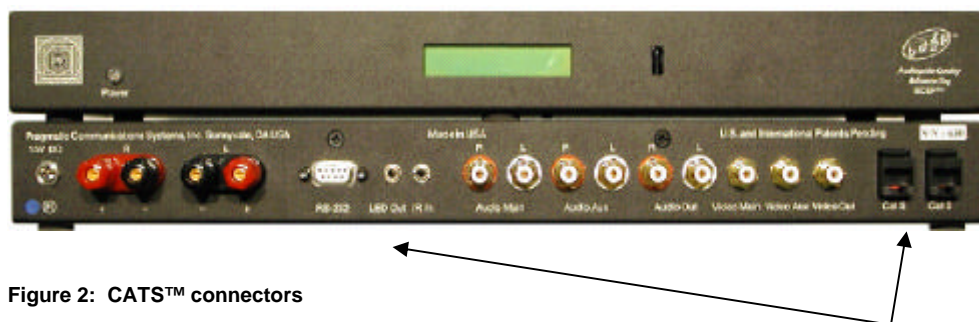


Figure 2: CATS™ connectors

Split CAT5 cable for the new generation of units as follows:

- RJ45 pin 1 – DB9 pin 2
- RJ45 pin 2 – DB9 pin 3

2. Make sure that each unit has a unique RS485 address.

The recommended addresses are:

- 230 – 237 for receivers
- 240 – 247 for transmitters
- 250 for the router
- 100 – 131 for CATS-KP™ wall keypads

Note: You can use the CATS-KP™ keypad or a PC-based software to store unique addresses in the units. Only 1 unit must be connected to the RS485 network during this procedure!

Step 3—connecting the CATS-KP™ keypads

The CATS-KP™ wall keypad uses 12V DC (unregulated) as the power source. The power could be provided by a CATS™ unit or a separate power supply.

The new generation of CATS™ units has power provided to the DB9 socket which can be used by the keypads.

1. Connect 12V DC, RS485 and RJ11 cables (optional) to the keypad.

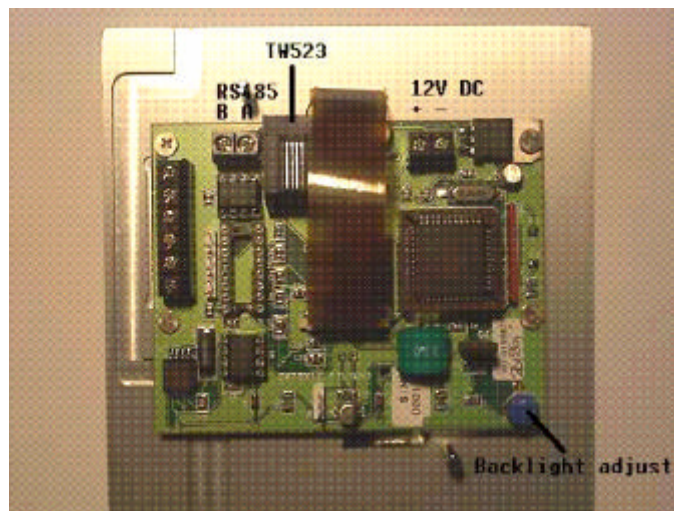


Figure 3: Keypad connectors

Note: Please insure the correct polarity of the RS485 and power connectors.

2. Adjusting the LCD backlight by turning the trimmer.

By turning the trimmer you adjust the level of the LCD backlight in the low-light environment (at night). You may need to cover up the light sensor on the front of the keypad while adjusting.

CATS-KP

The CATS™ Network configuration

Prerequisites

A unique RS485 address needs to be programmed in before the CATS™ units can operate normally. Please make sure that the following tasks have been completed before going further:

- **Have CAT5 cables installed and tested.**
- **Configure CATS™ units addresses**
- **CATS-KP™ keypads have been installed and connected**

Configuration steps

In order to configure the CATS™ network, you must perform the following tasks:

- **Configure CATS™ units addresses**
- **Configure CATS-KP™ keypads**
- **Configure source labels (optional)**
- **Configure scene labels (optional)**

Step 4—Configuring the CATS™ unit address

There are two ways of configuring a CATS™ unit address: by using PC-based software or by using a CATS-KP™ keypad. Please refer to the User's Manual if you are using PC-based software for more information.

Step 5—Configuring the CATS-KP™ keypad

Go to page 27.

Step 6—Configuring source labels (optional)

Go to page 29.

Step 7—Configuring scene labels

Go to page 29.

Note: You must have a TW523 (TW7223) X10 Power Line Interface connected to the keypad in order to utilize the X10 light scene features.

What's Next...?

We strongly recommend you read the entire User's Manual in order to familiarize yourself with all the keypad's features.

Your keypad should now be ready for use. Enjoy the elegant convenience of the CATS-KP™ smart wall keypad.

Utilities (Long press on button #5 from Root)

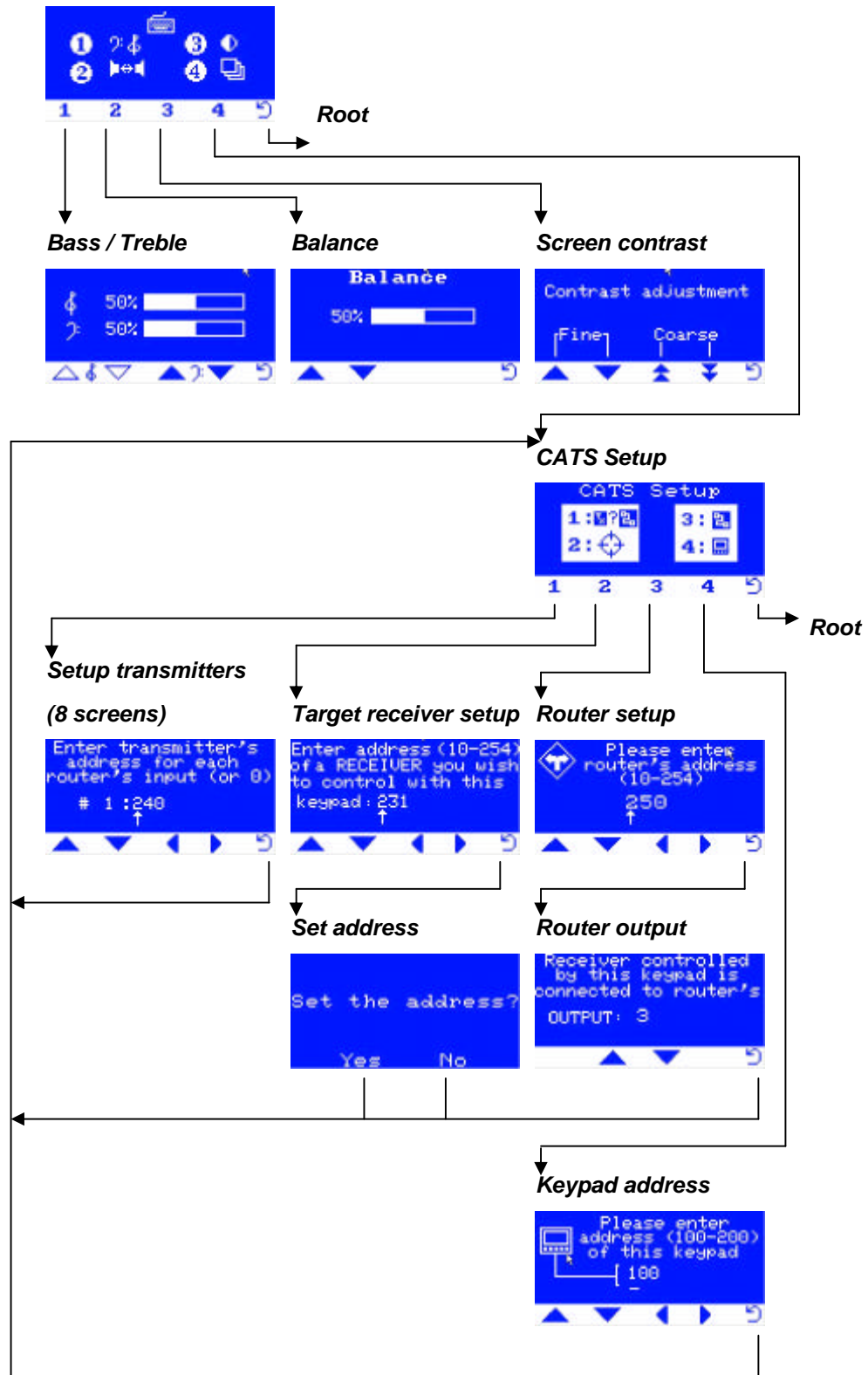


Figure 5: Menu structure #2

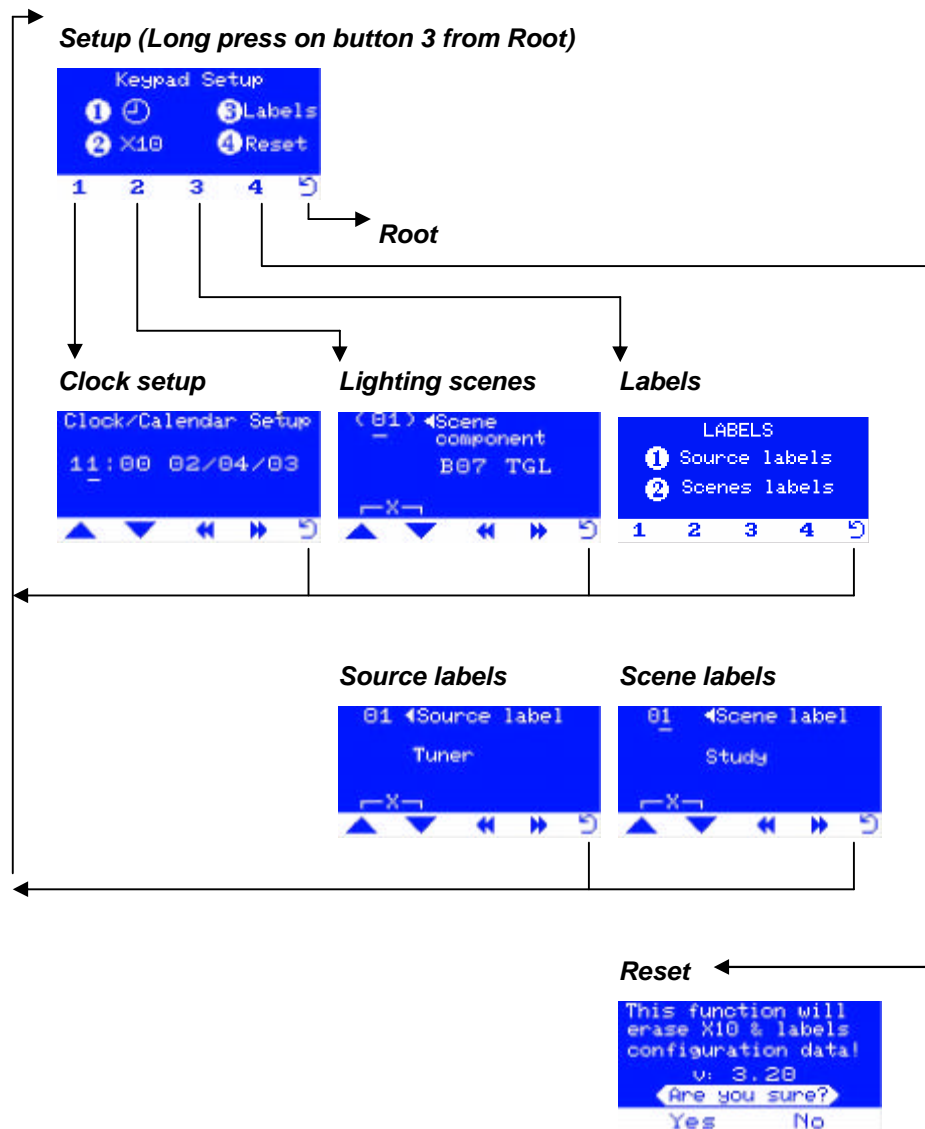


Figure 6: Menu structure #3

Utilities Menu

[Root -> (#5)(Long press) -> Utilities]

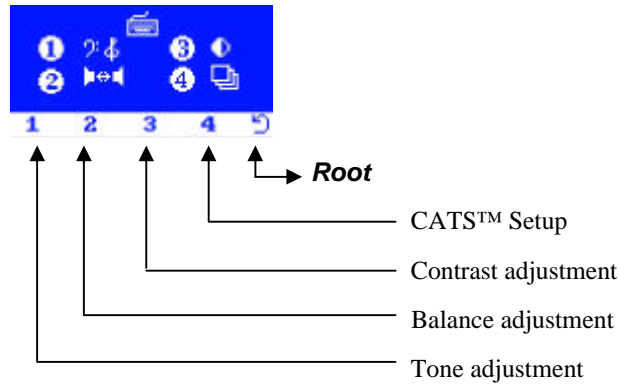
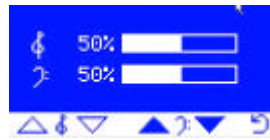


Figure 13: Utilities Menu

Tone adjustment

[Root -> (#5) (Long press) -> Utilities -> (#1) -> Treble/Bass]



This function adjusts audio tone on the local CATS™ receiver.

Balance adjustment

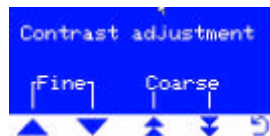
[Root -> (#5) (Long press) -> Utilities -> (#2) -> Balance]



This function adjusts audio balance on the local CATS™ receiver.

Contrast adjustment

[Root -> (#5) (Long press) -> Utilities -> (#3) -> Contrast]



The keypad's LCD is, by default, automatically adjusted to provide the optimum contrast. However, users can change the contrast manually in fine (buttons [1] and [2]) and coarse steps (buttons [3] and [4]).

Adjusted contrast is not stored in the non-volatile memory and will be reset to the default value should a power cut occur.

CATS™ Setup

[Root -> (#5) (Long press) -> Utilities -> (#5) -> CATS Setup]

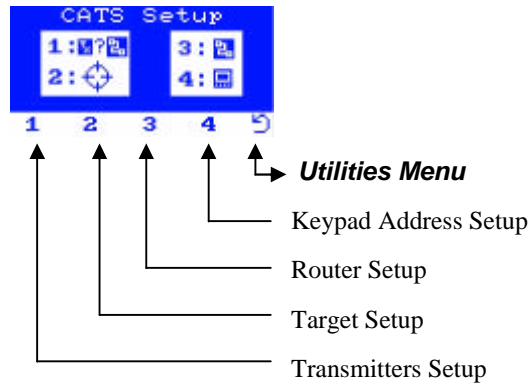


Figure 14: CATS™ Setup Menu

Before the keypad can control the CATS™ network it must know the network addresses of all participating units. CATS™ Setup menu includes the following 4 modes:

Transmitters Setup

[Root -> (#5) (Long press) -> Utilities -> (#5) -> CATS Setup -> (#1) TX Setup]



As described before, the Claris™ keypad can control up to 18 audio/video sources (1 CATS™ receiver and up to 8 CATS™ transmitters). Each transmitter available to the keypad must be made known to the keypad by providing its network address. If no transmitter is connected to a particular router's output, address 000 must be entered.

After pressing button #5 the router number will increment.

If an erroneous address is entered you must go through all 8 screens first and then enter the transmitter setup mode again in order to correct the error.

Once a transmitter's address has been entered, a new couple of inputs per transmitter can be configured. See **Source selection** chapter for more details.

IMPORTANT: Please remember that each transmitter's address must be unique for the network to function properly.

Target Setup

[Root -> (#5) (Long press) -> Utilities -> (#5) -> CATS Setup -> (#2) Target Setup]

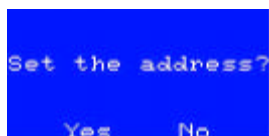


Similarly to transmitters' addresses above, the receiver's address must be made know to the keypad before it can "talk" to it. Although only 1 receiver's address can be entered, several keypads can control the same receiver. It is useful when installed in large rooms where it makes sense to have multiple controls.

Use up and down buttons (#1 and #2) to increment/decrement units, tens and hundreds; and left and right buttons (#3 and #4) to choose the cursor position.

Please remember that addresses from 240 to 247 are usually reserved for transmitters and 250 for the router.

After the address has been entered and button #5 pressed, the following screen will appear:



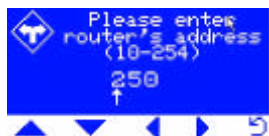
This has been designed to help setting up the network and to configure participating CATS™ units without a PC.

By pressing button #2 ("Yes") the keypad will issue a network command to store the configured target address in the unit's memory. Because this command uses the "network-wide broadcast" address, only one unit must be connected to the keypad during this operation. Please make sure that no other units are connected.

In both cases, after pressing buttons #2 or #4 the keypad will go back to the CATS™ Setup menu.

Router Setup

[Root -> (#5) (Long press) -> Utilities -> (#5) -> CATS Setup -> (#3) Router Setup]



As with the transmitters and the target, the network router's address must be made known to the keypad as well. Please use similar procedures to move the cursor and change values. Also make sure that the address is unique. We strongly recommend using 250 (default).

After button #5 has been pressed the following screen will appear:



This will store the router's output number to which the target receiver is connected in the keypad's non-volatile memory. Please have your network diagram available at the time of entering to ensure that the entering number is correct.

Please see the CATS™ User's manuals for more information on the structure of the CATS™ network.

Keypad address setup

[Root -> (#5) (Long press) -> Utilities -> (#5) -> CATS Setup -> (#4) Keypad address setup]



There can be up to 32 keypads connected to the same segment of the network. In order to maintain the proper network structure each unit connected to the network must have a unique network address. This is also true for keypads.

Please make sure that each keypad's address is unique.

Keypad Setup

[Root -> (#4 long press) -> Keypad Setup]

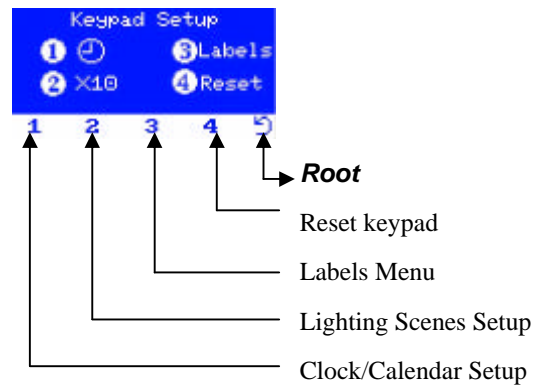
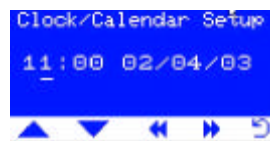


Figure 15: Keypad Setup Menu

Clock/Calendar Setup

[Root -> (#4 long press) -> Keypad Setup -> #1 -> Clock/Calendar Setup]



The Claris™ keypad has a real-time clock/calendar which needs to be set before the keypad can be used properly.

Buttons #3 and #4 will move the cursor left and right whereas buttons #1 and #2 will change the values.

The clock is in 24-hr format and the calendar format is dd/mm/yy starting with the year 2000 (00). The clock is set as soon as the button #5 is pressed.

Under some rare circumstances the clock may lose its settings or stop completely. Please reset the keypad (see Reset chapter) before re-entering the correct time and date.

Lighting scenes configuration

[Root -> (#4 long press) -> #2 -> Lighting scenes configuration]



There are 28 scene components grouped in 4 scenes of 7 components each. In other words, components

- 01 – 07 belong to lighting scene #1,
- 08 – 14 to scene #2,
- 15 – 21 to scene #3,
- 22 – 28 to scene #4.

IMPORTANT: Please remember that you must configure at least 1 scene's component to include the scene in the list of available scenes. For example: configuring components 01, 02, 03 and 04 will only produce scene #1 as a series of 4 lighting commands. In order to configure 4 separate scenes of 1 command each you must configure components 01, 08, 15 and 22.

Each lighting scene can have from 0 to 7 defined components. Erasing the first component in the scene will erase the scene from the list of available scenes.

Use buttons [3] and [4] to move the cursor left and right, and buttons [1] and [2] to change the parameters of a component.

Lighting components must be constructed of 3 parts:

- house code (A –P)
- unit code (01 – 16)
- command code (ON, OFF, UOF, LON, LOF, BRT, DIM, TGL)

The commands are:

- ON switch light on
- OFF switch light off
- UOF all units off
- LON all lights on
- LOF all lights off
- BRT single step bright command
- DIM single step dim command
- TGL toggle light. If the light was off – switch it on and vice versa.

The user must configure all 3 parts of a lighting component in order to store it in the non-volatile memory.

Pressing buttons [1] and [2] simultaneously will erase the entire component.

Lighting scenes are stored in the non-volatile memory and will remain unchanged even if the power has been disconnected for a long time.

Labels Setup

[Root -> (#4 long press) -> Keypad Setup -> #3 -> Labels Setup]



Figure 16: Labels menu

Before labels are entered the keypad must know which kind of labels (Source or Scene) is being entered. Although the entering procedure is almost identical, the labels are stored in different part of the internal memory.

You may use any of the characters shown in figure 17 for labels.



Figure 17: Characters available for labels

Source Labels Setup

[Root -> (#4 long press) -> Keypad Setup -> #3 -> Labels Setup -> #1 -> Source labels]



#Use buttons #1 and #2 to increment and decrement values respectively. Buttons #3 and #4 will move the cursor left and right.

Pressing buttons #1 and #2 simultaneously will erase the current character (space is the first character in the table of available characters).

The label is stored by changing the label number or pressing button #5.

Scene Labels Setup

[Root -> (#4 long press) -> Keypad Setup -> #3 -> Labels Setup -> #2 -> Scenes labels]



Use buttons #1 and #2 to increment and decrement values respectively. Buttons #3 and #4 will move the cursor left and right.

Pressing buttons #1 and #2 simultaneously will erase the current character (space is the first character in the table of available characters).

The label is stored by changing the label number is or pressing tbutton #5.

CLARIS

IR Remote Control

The Claris™ keypad uses the same format of the IR commands as the CATS™ units. The following commands have been implemented:



Figure 18: CATS™ IR Remote Control

- VCR [000] 1 – Lighting Scene #1
- VCR [000] 2 – Lighting Scene #2
- VCR [000] 3 – Lighting Scene #3
- VCR [000] 4 – Lighting Scene #4
- REW – Previous track (CMS™)
- PLAY – Play (CMS™)
- FF – Next Track (CMS™)
- PAUSE – Pause (CMS™)
- STOP – Stop (CMS™)

Please refer to the CATS™ User's Manual for more information on the standard CATS™ IR commands (Volume Up/Down, Channel Up/Down, Mute, Source Selection, Remote Source Selection etc).

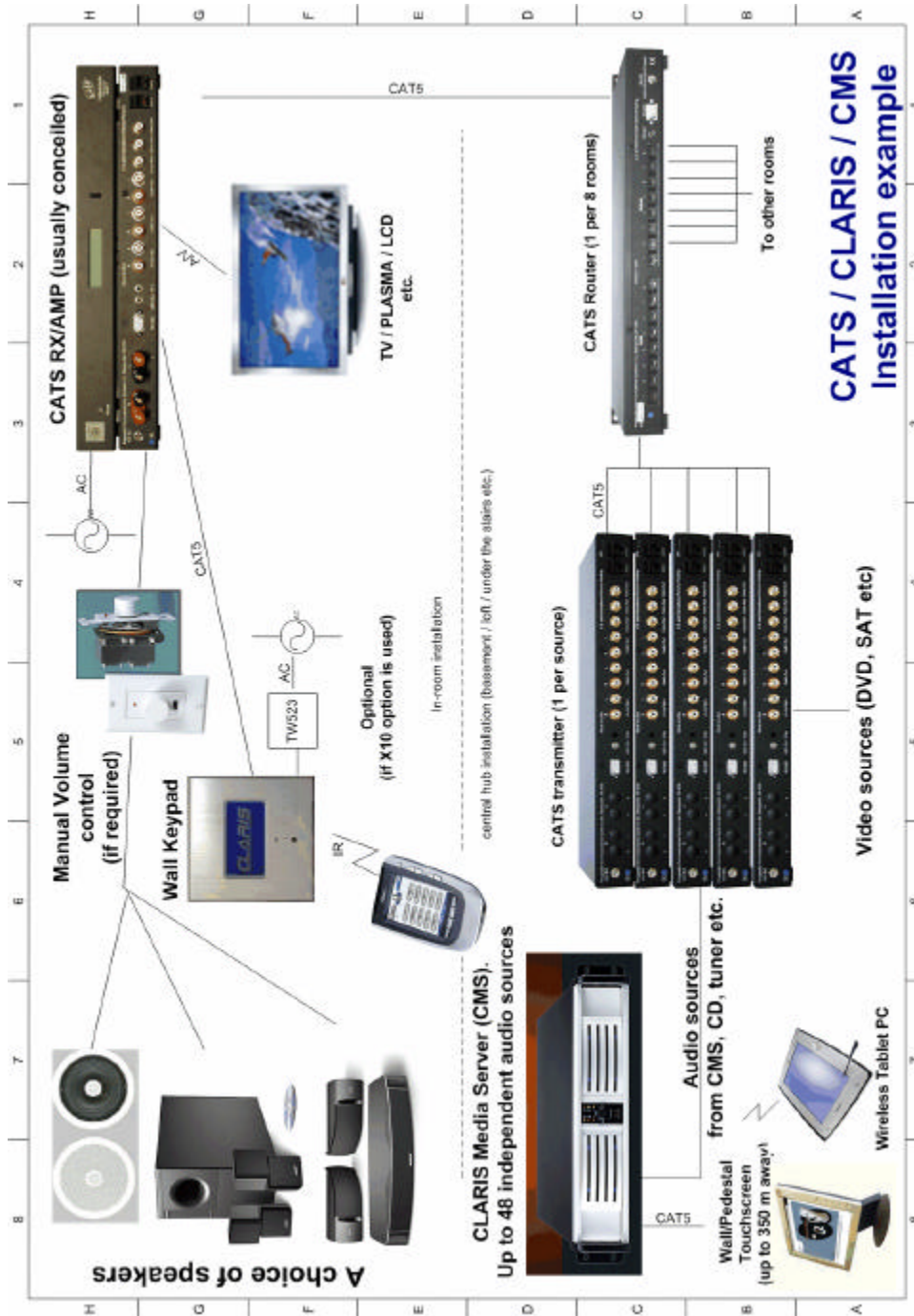
CLARIS

Technical specification

Power supply:	9-12 V DC unregulated reverse polarity protected
Consumption:	55 ma typical, 80 ma max
Operating temperature:	5 – 40 °C (non-condensing)
Labels length:	Source: 6 characters (v3.2x); 16 chars (v4.xx) Scene: 6 characters (v3.2x); 16 chars (v4.xx)
X10 PLC required:	TW523 (USA) TW7223 (Europe)
X10 macro:	7 X10 commands (v3.2x); 256 X10 commands (v4.xx)
Ports:	1 * RS485 / 1 * RS232 (selectable), 1 * RS232 (RJ12) 1 * X10 (RJ11) 1 * CATS™ Link (RJ12)
RS485 termination:	none (v3.2x); selectable v4.xx
Temperature sensor accuracy:	±0.03 °C
IR type:	24 bit RCA
IR modulation frequency:	38 KHz
LCD type:	COG graphics blue line
Resolution:	128 * 64 pixels

CLARIS

Appendix I. Network example



CLARIS

Notes

Enjoy the elegant convenience of CLARIS™

If you have comments or questions, contact us at:

Forum Trading Ltd

31, Barrowgate Road,
London W4 4QX, England

sales@forum-ltd.com

www.forum-ltd.com