

»» PTS-SMBGM1

Pragmatic Tile Speaker with Sound Masking & Background Music

Sound Masking & Background Music System

The PTS-SMBGM1 is a high-performance, wide dispersion ceiling tile speaker. It offers the best sound masking and background music quality of any sound technology on the market. The sound masking is an ambient sound, similar to the sound of airflow, that's engineered to the frequency of human speech to target potential conversational distractions. The sound is hardly noticeable and will blend into the environment of any workspace. Adding the sound to a workspace will actually make the space quieter by reducing the clarity of human speech. The PTS-SMBGM1 will make a building quieter through raising the ambient background noise level. This makes speech noise harder to hear and understand, therefore less distracting. Overall, the PTS-SMBGM1 will increase focus and productivity, as well as protecting private conversations.

The PTS-SMBGM1 is very easy to mount in the standard commercial drop-tile ceilings. With optional mounting brackets, it can also be suspended in open ceiling spaces. This high-performance speaker is well suited for hotel kiosks, restaurants, theme parks, museums, art galleries, collaborative learning spaces or department store digital signage for an audience of a few in a very controlled sound dispersion zone.

The speaker is part of the PADS™ family and easily integrates with other PADS™ components. In areas with highly varying ambient noise, it can be used with the PALS™ (Pragmatic Audio Leveling System) for automatic volume control based on the ambient noise.



Feature & Benefits:

- Uniform omni-directional sound dispersion
- 400 sq. ft. to 600 sq. ft. coverage per speaker
- Broad Frequency spectrum 20Hz – 20KHz
- Ideal for Sound masking and background music systems
- Plenum/UL/CSA/CE/NFPA
- Very quick and easy to install
- Easy to customize/reconfigure
- Retrofit friendly

Specifications:

Frequency Response: 20Hz – 20KHz

Sensitivity: > 86dB @ 1W/1m

Dimensions (HxWxD): 24" x 24" x 3"

Weight: 12 lbs.

Finish: White, (Black, Silver, etc. custom)

Grille: perforated aluminum

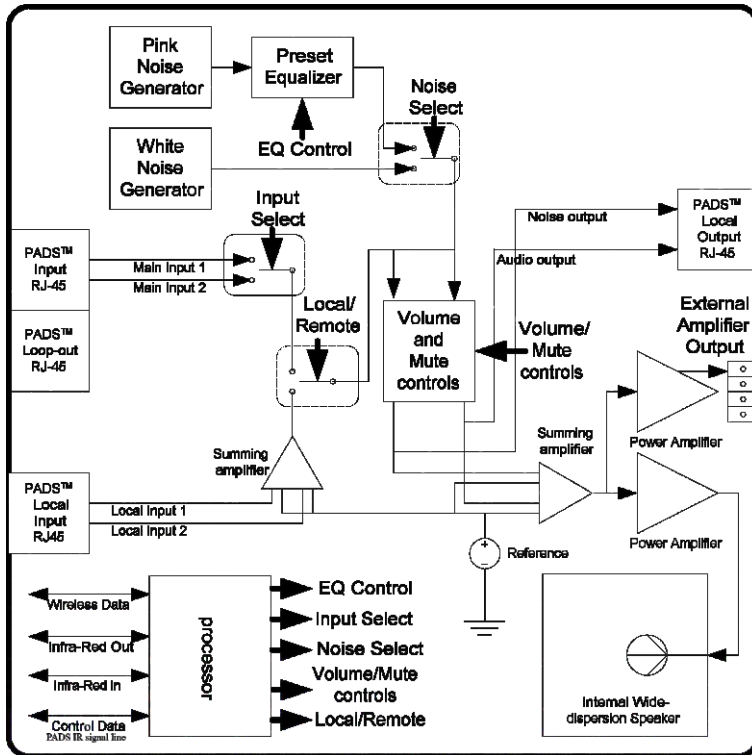
Applications:

- Closed offices, Open offices, Court rooms
- Medical & Secure facilities, Walls, Windows
- HealthCare waiting areas, POP displays
- Collaborative educational spaces
- Applications in hotels, fitness clubs, restaurants, theme parks, shopping malls, grocery stores, retail, entertainment, etc.

*US and International patents pending

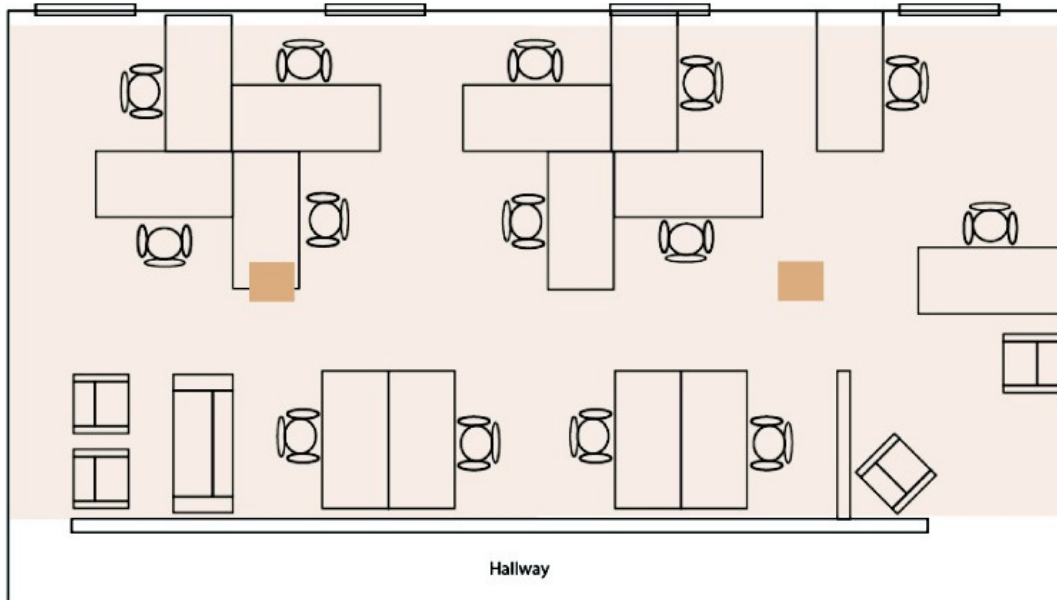
TO PLACE an ORDER or for QUESTIONS,
Emails Us: sales@pragmatic1.com, Call Us: (408) 748-1100 or Fax Us: (408) 663-9783

PTS-SMBGM1 Block Diagram



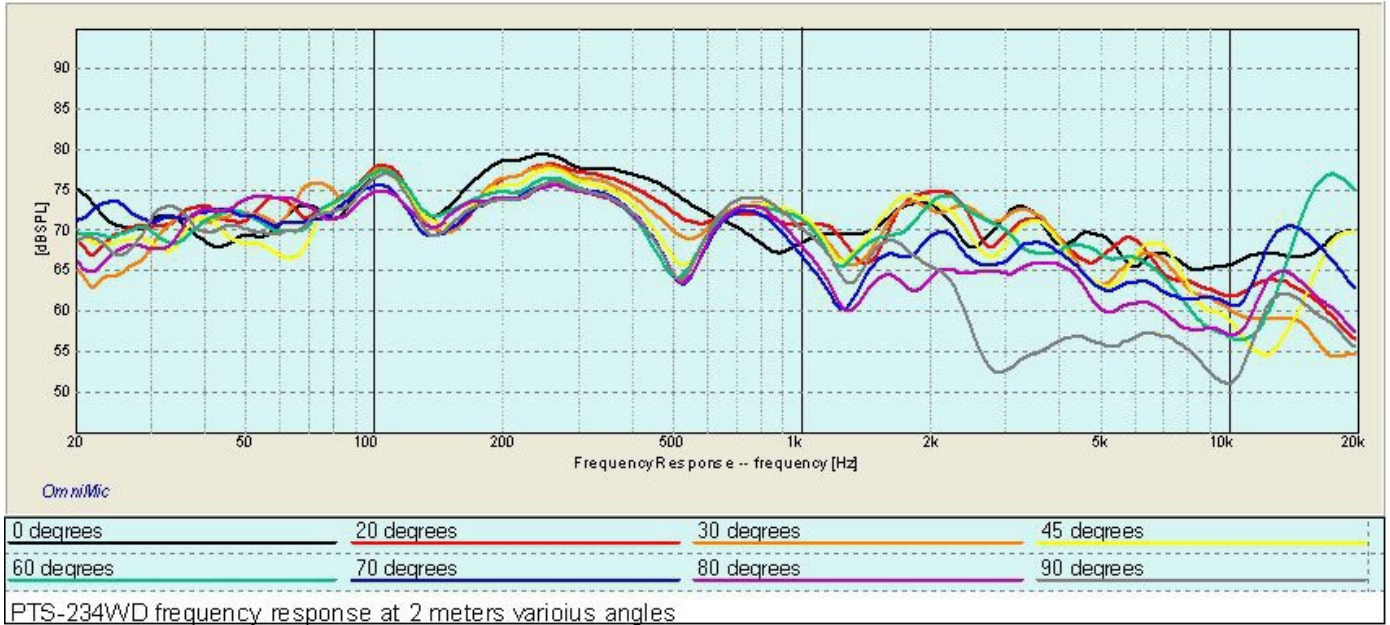
- White/Pink Noise Generator
- Eight pre-set EQ curves
- Two audio input channels for multizone applications
- Dual channel 78 dB volume control with 1 dB steps
- PADS™ loop output for daisychain applications
- Power/audio/control on cat5
- Local control, central control, Wi-fi control, and IR control

Typical Application of PTS-SMBGM1 in Open Office

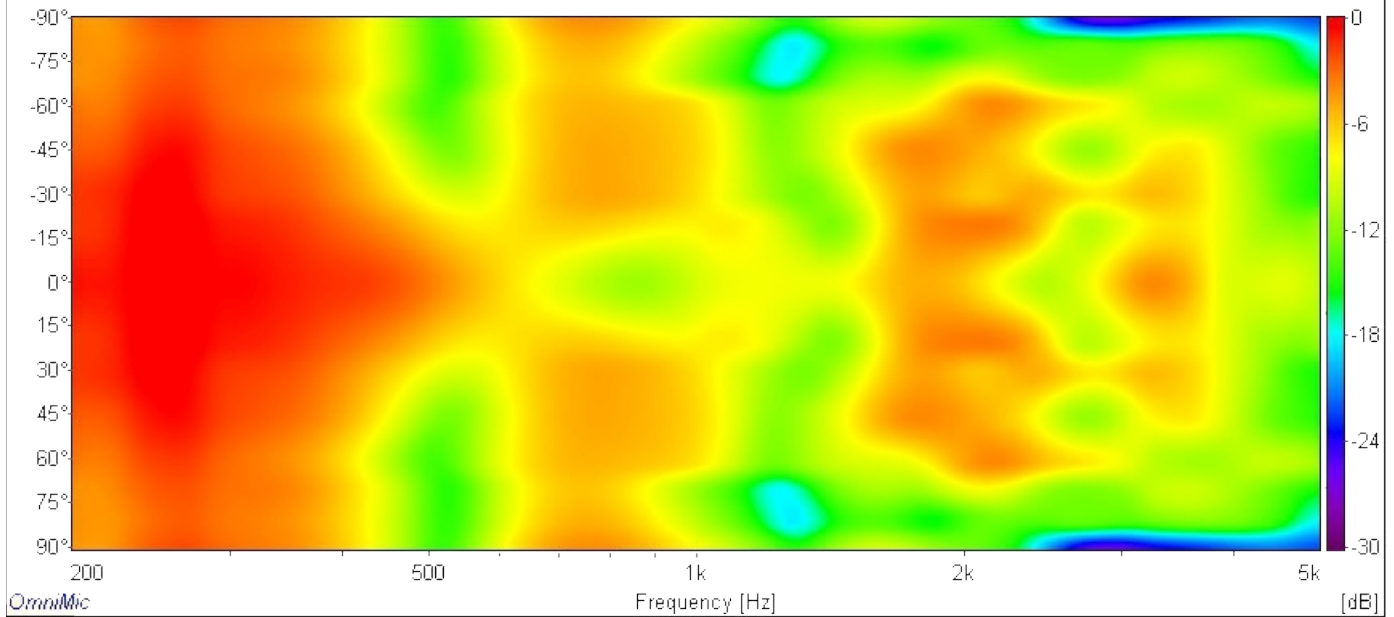


TO PLACE an ORDER or for QUESTIONS,
Emails Us: sales@pragmatic1.com, Call Us: (408) 748-1100 or Fax Us: (408) 663-9783

Sound dispersion actual measured response of PTS-4077F speaker

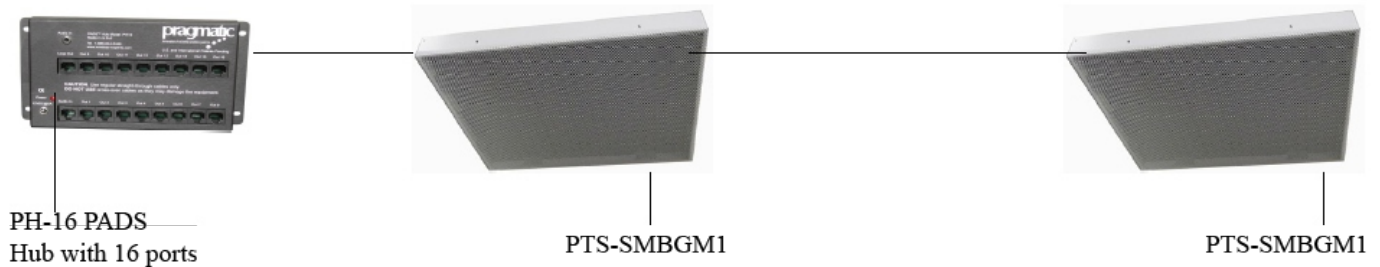


Polar Resopse of PTS-234WD @ 2 meters for wide dispersion
Polar Resopse (mirrored)



TO PLACE an ORDER or for QUESTIONS,
Emails Us: sales@pragmatic1.com, Call Us: (408) 748-1100 or Fax Us: (408) 663-9783

PADS™ Sound Masking and Background Music



The PH-16 PADS Hub has 16 ports and can be daisy chained up to 128 speakers and 75,000 square feet. The Cat5 cable have lengths up to 100 feet on each hub output port. Up to 8 PTS-SMBGM1 speakers can be daisy-chained on a single cat5 cable (many more for SM only applications).

TO PLACE an ORDER or for QUESTIONS,
Emails Us: sales@pragmatic1.com, Call Us: (408) 748-1100 or Fax Us: (408) 663-9783